

A Series Center-Control Rider Pallet Truck

with capacities of 6,000/8,000lbs

The World of Hangcha
SINCE 1956



LET THE LITHIUM POWERED



HANGCHA PROVIDES **5 YEAR**
OR 10000 HOURS GUARANTEE
ON LITHIUM BATTERY.

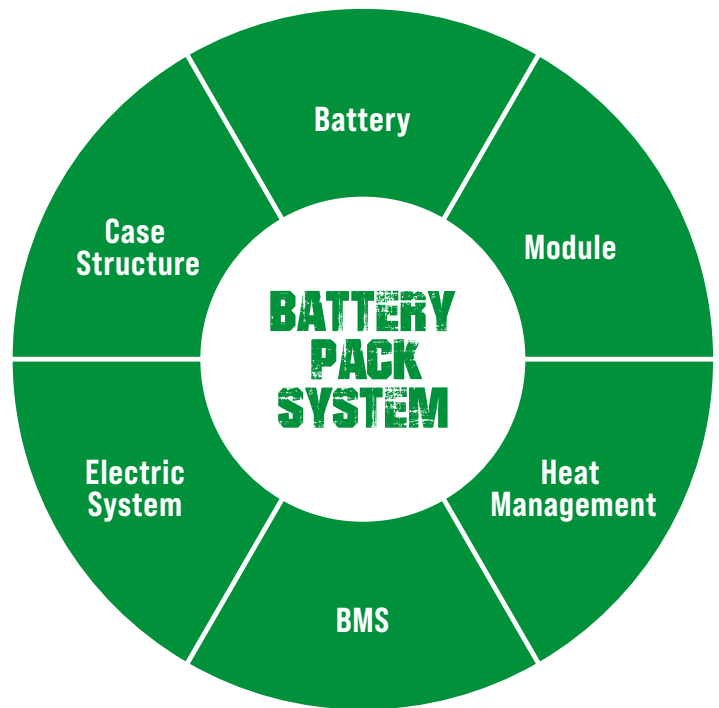


5 YEAR
WARRANTY

INNOVATIVE SOLUTIONS NEW POWER NOW

Innovative, reliable lithium-ion technology (Lithium Iron-Phosphate), which are developed jointly by HANGCHA and CATL. Battery cells and modules are from CATL, with reliable quality, exclusively for HANGCHA.

- / We use square lithium iron phosphate batteries and modules used in large quantities by commercial vehicles in mature economies.
- / The module uses an aluminum alloy frame which is sturdy, lightweight and with excellent heat dissipation.
- / Safe and effective: Charging efficiency as high as 98%, thermal runaway temperature 600 °C or above.
- / Adapted to low temperatures: Comes standard with an electrical heating feature, ensuring normal operation in low temperatures.
- / Quick charging.
- / Long-working: 4000 charging cycles, capacity retention greater than 80%.
- / Maintenance-free: Battery does not require manual maintenance.
- / Green and clean: Pollution-free, zero emissions.



Rapid charging and opportunity charging ensure continuous availability of vehicles

Allow for fast full charging or boost charging. They are maintenance free and do not require a battery change when used for multi-shift operations.

Li-Ion Battery Pack specification

Type		CCR27Li	CCR36Li
Service weight	kg/lb	1050/2315	1050/2315
Li-Ion battery	V/Ah	24/404	24/404

PERFORMANCE AND INNOVATION. QUICKPICK.

The A series Center-Control Rider Pallet Truck is a logistics handling device developed by Hangcha for the high-intensity operating conditions of the North American market. With an AC drive technology, it has advanced performance and a low maintenance cost, is safe and reliable, can be operated easily and therefore is an ideal tool for loading, unloading and handling palletized goods in warehouses and workshops.



Appearance

- / The A series center-control rider pallet truck adopts a professional exterior industrial design. The truck has a smooth vivid profile and a fully ergonomic design, following the latest exterior design trend.
- / With a large number of steel plate stamping and injection molding processes to enable a robust and durable product that meets environmental protection requirements.

Comfort

- / The operating mode provides large and comfortable workspace.
- / With the compact and stylish tiller, all operations can be completed with one hand.
- / With the turtle speed, the truck can be more easily and accurately driven slowly.
- / The optimized design of the body structure provides an excellent operating view and to get in/out the pallet more easily.

Reliability

- / With a high-strength steel frame structure, the truck frame has a large residual load capacity and a long service life.
- / The auxiliary wheel adopts a shock absorber-torsion bar structure to ensure that the forklift has good stability.
- / The electrical system uses waterproof connectors, and all wires and cables have reliable protection, which greatly improves the reliability.
- / Pump motor with an electronic lifting limit switch save more energy and protect the motor of the power unit.
- / With a low noise and low vibration hydraulic power unit to enable stable and reliable lifting and lowering.
- / The stamped forks with higher strength and impact resistance, and guided forks improve operation efficiency.

High Performance

- / EPS(Electric Power Steering) system help operators working more comfortable.
- / The maintenance-free high-power brushless AC traction motor has excellent acceleration performance, good climbing performance and low heat generation.
- / The CURTIS control system provides accurate, stable and more efficient control.
- / The CANBUS structure makes the communication of the truck faster and more reliable.
- / The truck has a regenerative braking function and provides protection to prevent sliding down a ramp.
- / The hydraulic pump, switches, connectors and other key parts are all products of internationally renowned brands.



Batters side roll out



The dashboard with integrated large-screen instruments can be moved sideways to enable the changing battery easier





货位号A6-2-3L上

货位号A6-2-3R上

货位号A6-2-2L中
货位号A6-2-1L下

2

2R中
R下

HANGCHA

3

3
LITHIUM Pallet Truck
Model: H3
Capacity: 3000kg
Voltage: 48V
Weight: 1100kg
Max. Speed: 12km/h
Charging Time: 8h
Standby Time: 12h
Max. Charge: 100%

OKANETSU

冈热机械 / 冈热有限公司
中国总代理：上海冈热机械有限公司
NO. 0218 6248 8888
FAX: 0218 6248 8888
MOBILE: 138 1611 1111

HIGH-POSITION PICKING

THE OPTIONAL AUXILIARY
FOOTBOARD IS SUITABLE FOR
HIGH-POSITION PICKING



EFFICIENCY OF PICKING

THE DRIVER CAN DRIVE WITH THE PEDAL RELEASED TO IMPROVE THE EFFICIENCY OF PICKING





Safety

- / With the functions of release braking, and emergency braking to ensure safe driving.
- / With protection to prevent sliding down a ramp to ensure safe operations.
- / The red brake button on the head of the tiller can be pressed to effectively brake and prevent the driver from being injured.
- / With the dual protection by the electronic lifting limit and the intelligent limit of the controller that are provided for the standard configuration, the impact caused by lifting to the top can be avoided, the operating motor can be effectively protected and the safety of the goods can be ensured.
- / When the driver releases the pedal during driving, the truck will automatically reduce the travel speed and steering angle and disable the lifting and lowering to ensure the safety.

Maintenance

- / With a maintenance-free brushless AC drive motor to significantly reduce the operating costs.
- / The multi-functional large-screen instruments integrate battery display and real-time speed and fault self-diagnosis functions to facilitate maintenance.
- / With a rear hood that can be completely opened to expose all components and facilitate the maintenance.
- / With all spindles equipped with lubricated sleeves and oil cups to facilitate maintenance and a long service life.





Standard Specification

- / AC drive motor
- / Curtis controller
- / Hydraulic power unit
- / Multi-functional large-screen instrument
- / EPS(Electric Power Steering) system
- / Key switch
- / Electronic lifting limit
- / Horn
- / Polyurethane drive wheel
- / Polyurethane load wheel

Options

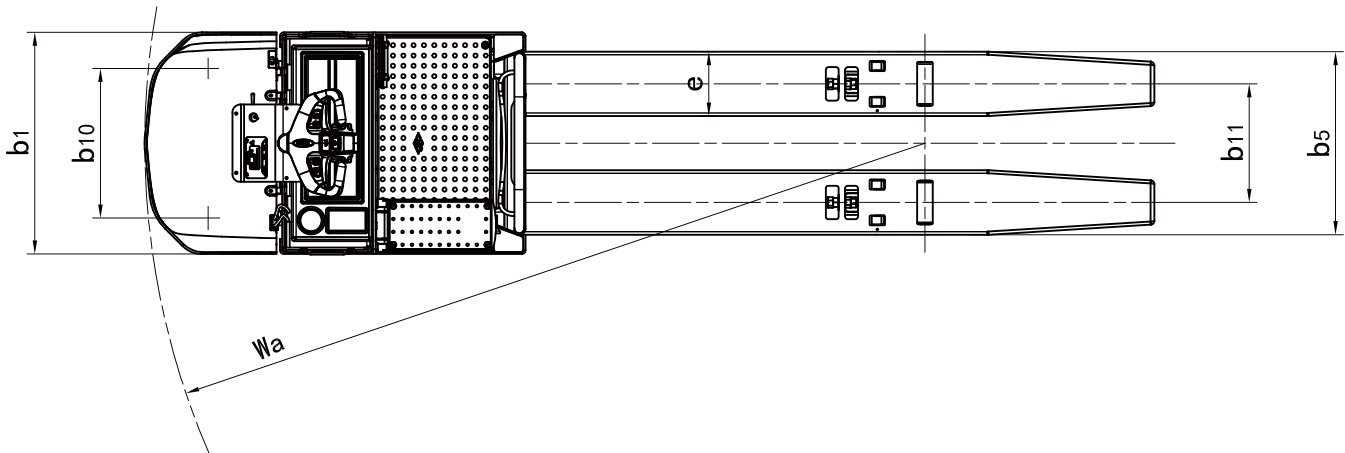
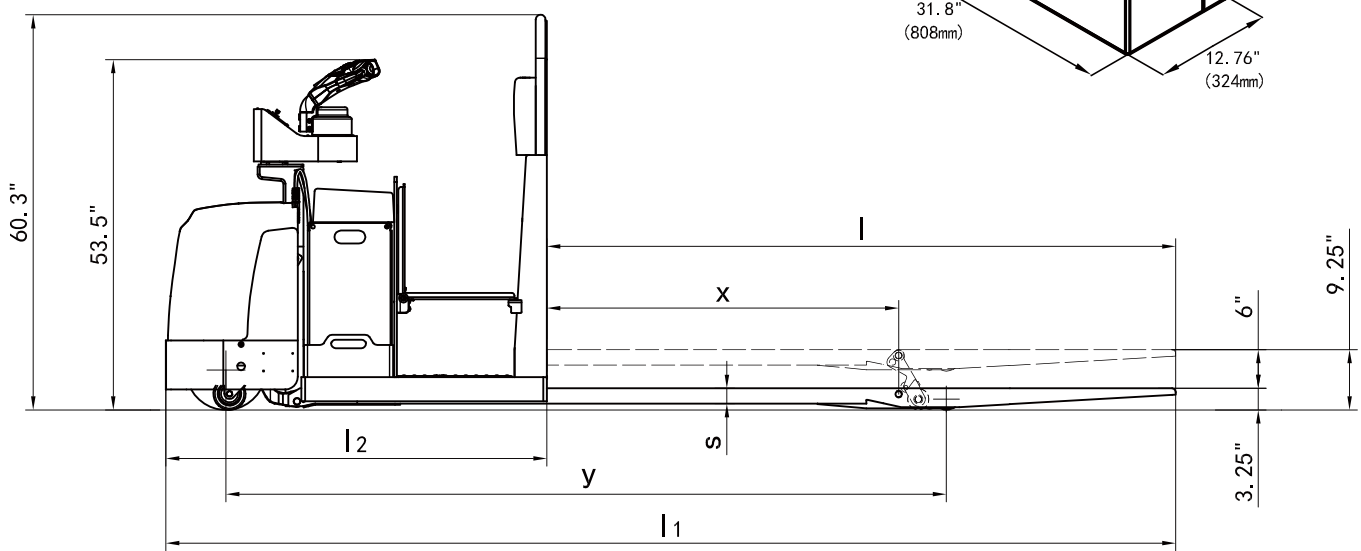
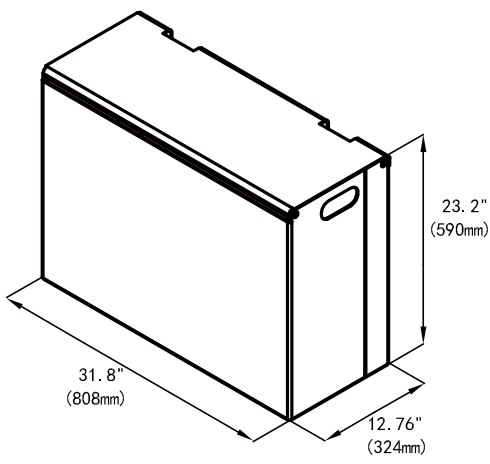
- / A full range of batteries capacity (300-750Ah)
- / Second Level Order Picking
- / Packaging film holder
- / Storage Box(available for battery under 525Ah)

***TOUGH
EFFICIENTLY
EFFORTLESSLY***

A Series Center-Control Rider Pallet Truck Specification

		HANGCHA GROUP CO.,LTD.			
Distinguishing mark	1.1	Manufacturer			
		HCFA Model	CCR27	CCR36	
	1.2	Manufacturer's type designation	CB027-AC1S-CNA	CB036-AC1S-CNA	
	1.3	Drive: electric (battery or mains), diesel, petrol, fuel gas	Electric	Electric	
	1.4	Operator type	Rider	Rider	
	1.5	Rated capacity/rated load	Q(kg/lb)	2700/6000	3600/8000
	1.6	Load centre distance	c(mm/in)	1220/48	1220/48
	1.8	Load distance, centre of drive axle to fork	x(mm/in)	1365/53.7	1365/53.7
Weight	1.9	Wheelbase(Fork Raised)	y(mm/in)	2690/110	2690/110
	2.1	Service weight	kg/lb	1230/2712	1280/2822
Tyres, chassis	3.1	Tyres: solid rubber, superelastic, pneumatic, polyurethane		Polyurethane	Polyurethane
	3.2	Tyre size, front	mm/in	Φ310×110/Φ12.2×4.3	Φ310×110/Φ12.2×4.3
	3.3	Tyre size, rear	mm/in	Φ83×165/Φ3.25×6.5	Φ83×165/Φ3.25×6.5
	3.4	Additional wheel (dimensions)	mm/in	Φ125×60/Φ5×2.4	Φ125×60/Φ5×2.4
	3.5	Wheels, number front / rear (x = driven wheels)		1×+2/2	1×+2/2
	3.6	Tread, front	b ₁₀ (mm/in)	590/23.2	590/23.2
	3.7	Tread, rear	b ₁₁ (mm/in)	460/18.1	460/18.1
Dimensions	4.4	Lift	h ₃ (mm/in)	150/6	150/6
	4.15	Fork height,lowered	h ₁₅ (mm/in)	83/3.25	83/3.25
	4.19	Overall length	l ₁ (mm/in)	3918/154.3	3918/154.3
	4.2	Head Length	l ₂ (mm/in)	1478/58.2	1478/58.2
	4.21	Overall width	b ₁ (mm/in)	860/33.8	860/33.8
	4.22	Fork dimensions	s/e/l (mm/in)	60/250/2440(2.36/9.84/96)	60/250/2440(2.36/9.84/96)
	4.25	Distance between fork-arms	b _s (mm/in)	710/28	710/28
4.35	Turning radius(Fork Raised)	W _a (mm/in)	2915/114.8	2915/114.8	
Performance data	5.1	Travel speed,laden/unladen	kph(mph)	9.5/14(5.6/8.7)	9.5/14(5.6/8.7)
	5.8	Max Gradeability,laden/unladen	%	8/15	8/15
	5.10	Service brake		Electromagnetic	Electromagnetic
Electric-engine	6.1	Drive motor rating S2 60 min	kW/hp	4/5.36	4/5.36
	6.2	Lift motor rating at S3 15%	kW/hp	2.2/2.95	2.2/2.95
	6.4	Battery voltage, nominal capacity K5	V/Ah	24V/300Ah	24V/400Ah
	8.1	Type of drive control		AC	AC
	9.1	Manufacturer		Curtis	Curtis







HANGCHA FORKLIFT CANADA INC.

Company address:

6-980 Rue Valois, Vaudreuil-Dorion,
QC, J7V 8P2, Canada

Toll Free: 877-319-HCFC (4232)
Landline: 450-319-HCFC

info@hcforkliftcanada.com
www.hcforkliftcanada.com



Follow us on
Facebook



Follow us on
YouTube



Follow us on
WeChat



Download "Hangcha
Forklift" App

HANGCHA GROUP CO., LTD. reserves the right to make any changes without notice concerning colors, equipment, or specifications detailed in this brochure, or to discontinue individual models. The colors of trucks, delivered may differ slightly from those in brochures.