

# A Series Four-Wheel High Level Order Picker

with capacities of 3,000lbs

LI-ION  
TECHNOLOGY

INNOVATIVE LITHIUM-ION



*The World of Hangcha*  
SINCE 1956

  
**HANGCHA**  
 CANADA

# LET THE LITHIUM POWER WORK



HANGCHA PROVIDES **10 YEAR**  
**OR 20000 HOURS** GUARANTEE  
ON LITHIUM BATTERY.

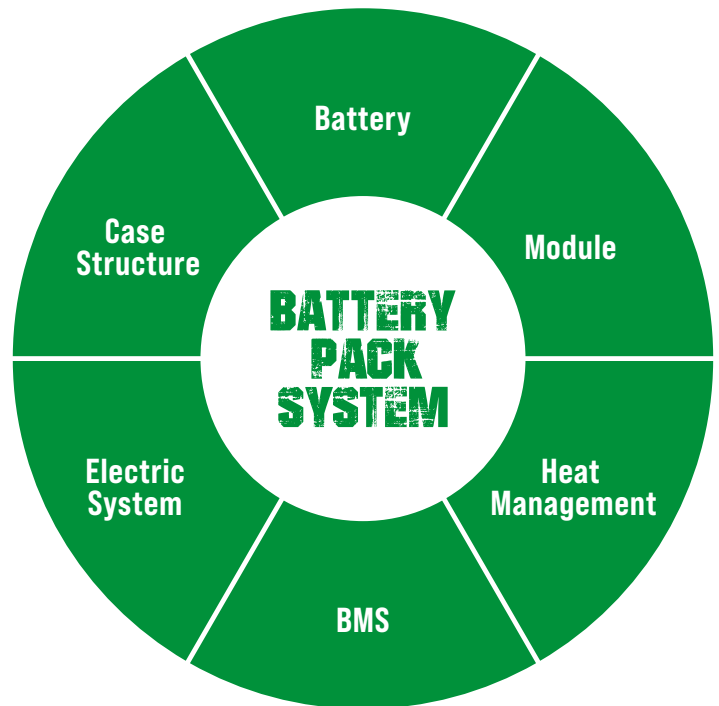


**10 YEAR**  
**WARRANTY**

# INNOVATIVE SOLUTIONS NEW POWER NOW

Innovative, reliable lithium-ion technology (Lithium Iron-Phosphate), which are developed jointly by HANGCHA and CATL. Battery cells and modules are from CATL, with reliable quality, exclusively for HANGCHA.

- / We use square lithium iron phosphate batteries and modules used in large quantities by commercial vehicles in mature economies.
- / The module uses an aluminum alloy frame which is sturdy, lightweight and with excellent heat dissipation.
- / Safe and effective: Charging efficiency as high as 98%, thermal runaway temperature 600 °C or above.
- / Adapted to low temperatures: Comes standard with an electrical heating feature, ensuring normal operation in low temperatures.
- / Quick charging: 3 hours full charge, economic use of each break.
- / Long-working: 4000 charging cycles, capacity retention greater than 80%.
- / Maintenance-free: Battery does not require manual maintenance.
- / Green and clean: Pollution-free, zero emissions.



Li-Ion  
**3 hours**  
**100%**

Lead-acid batteries  
**8-10 hours** 100%

**Rapid charging and opportunity charging ensure continuous availability of vehicles**

Allow for fast full charging or boost charging (100 % charge in 3 hours). They are maintenance free and do not require a battery change when used for multi-shift operations.



**TITANS CHARGER**

## Li-Ion Battery Pack specification

Type		CJD13-AC2S-HNAI
Li-Ion battery	V/Ah	36/606
Titans charger		SKC-48250NA





# A Series Four-Wheel High Level Order Picker

The A Series Four-Wheel High Level Order Picker is high-end models of storage equipment. The vehicle has a comprehensive safety protection system, excellent ergonomics and advanced control system. Being reliable, stable, comfortable and safe and with excellent performance, it is applicable for stock picking in a stereoscopic warehouse of 197in-366in in height.

## NARROW-AISLE SOLUTIONS

### High performance

- / The maximum full-load travel speed can reach 6.8mph, which enables work efficiency to be greatly improved.
- / With excellent performance, German ZF gearbox and German Schabmueller AC drive and steering motors are stable and reliable.
- / The AC hydraulic lifting system is highly efficient and maintenance-free.
- / The advanced CURTIS control system provides precise, smooth and efficient control.
- / CANBUS structure makes the whole vehicle communication faster and more reliable.









## Comfort

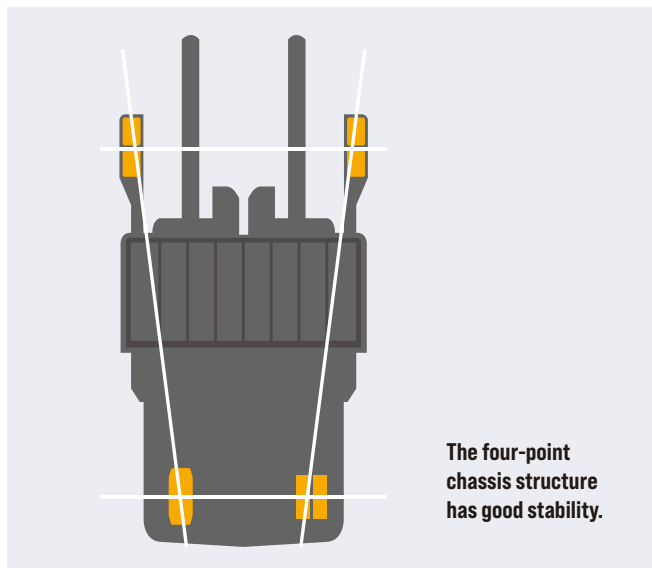
- / For the standard configuration, a height sensor is provided and shifting and lifting or lowering of the mast are buffered to enable more comfort.
- / CURTIS multi-function instruments have multiple functions such as mode selection, wheel position display, etc., and can clearly display various information.

## Safety

- / Full body harness provides great protection for the operator.
- / A tilt switch sensor is provided to improve the operation safety.
- / The left and right guardrails are equipped with safety switches.
- / The function of proportional speed reduction in corners is equipped as standard to ensure smooth and safe turning.
- / An emergency lowering functions provided. Operations can be carried out via the control platform and from the rear of the vehicle, respectively.

## Reliability

- / With a high-strength steel frame structure, the vehicle frame is robust and reliable.
- / All wires and cables are reliably protected, greatly improving the reliability of the electrical system.
- / Switches, connectors, instruments and other key parts are all high-quality products with excellent performance and reliable quality.



The A series lift truck provides operators the most unobstructed view, contributes to operator confidence at height



Fully variable lift/lower speeds can provide precise control



LORD steering gear with a torque feedback system is provided to enable higher operating safety and more comfort



The mast chain with a safety factor of 10 times is equipped with a chain safety switch



Manual-locking pallet clamp work on a wide range of pallets and accommodate pallet stringers ranging from 1" to 2" so operators can handle any pallet



## Maintenance

- / The AC motor has no carbon brush and is maintenance-free, which greatly saves the cost of use.
- / The integrated power display, timing and fault self-diagnosis meter is convenient for maintenance.
- / The rear hood can be easily removed without tools. This is convenient for maintenance of the hydraulic unit, electric control, motor and other parts.

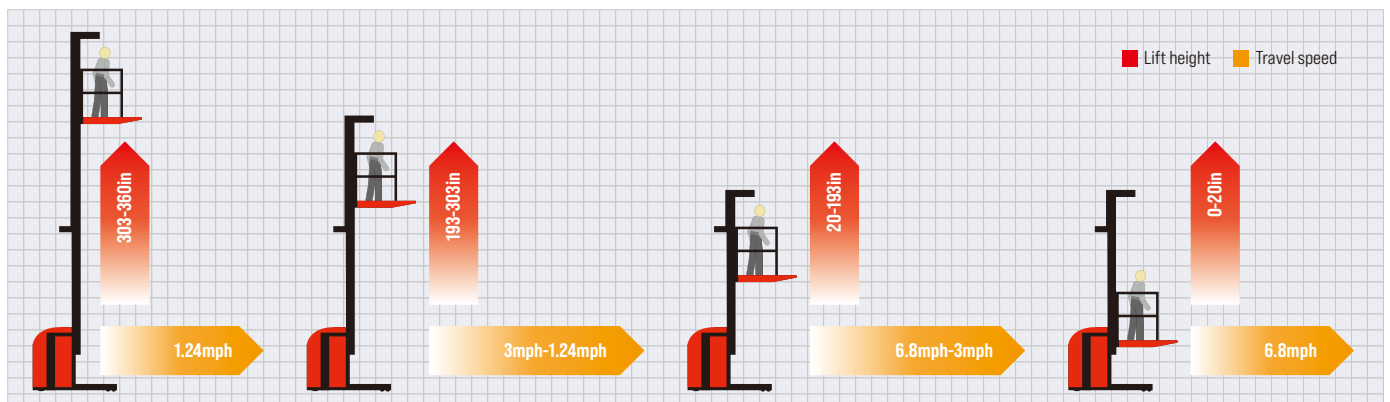
## Standard features

- / 36V electrical system
- / ZF drive unit
- / INTORQ electromagnetic brake
- / LORD steering gear
- / CURTIS AC motor controller
- / CURTIS multi-function instrument
- / Chain switch
- / Guard rail switch
- / Reflective mirror
- / LED ceiling light
- / LED side light
- / Emergency power off switch
- / Alarm light
- / Height sensor
- / Safety pedal
- / Tilt switch
- / Left and right guard rail
- / Electrostatic belt
- / Electromagnetic brake
- / Full body harness and energy-absorbing tether
- / Pallet clamp
- / Fully variable lift/lower controls
- / Manual emergency lowering
- / Work material storage compartments
- / Cushioned mast stops
- / Cushioned mast staging
- / Automatic return to center drive wheel upon start-Up
- / Electronic Power Steering
- / Battery compartment rollers

## Optional equipment

- / Side roller
- / Blue light
- / Head Lamp
- / Wire mesh screen

## Optimal speed control



A series order picker is available with advanced intellispeed system, which smoothly coordinates travel speeds and load height. Compared to conventional speed control, intellispeed maximizes truck speed as the platform rises, capitalizing on an area of opportunity for providing faster travel between picks.





**HANGCHA**

# A Series Four-Wheel High Level Order Picker Specification

Distinguishing mark	Manufacturer		<b>HANGCHA GROUP CO.,LTD.</b>
	HCFA Model		OPH13
	Model		CJD13-AC2S-HNA
	Drive:electric (battery or mains),diesel,petrol,fuel gas		Electric
	Operator type:hand,pedestrian,standing,seated,order-picker		Order Picker
	Rated capacity/rated load	Q(lb/kg)	3000/1360
	Load centre distance	c(in/mm)	24/600
	Wheelbase	y(in/mm)	87.5/2222
Weight	Service weight(without battery)		See table 1
Tyres, chassis	Tyres: solid rubber, superelastic, pneumatic, polyurethane		Polyurethane
	Tyre size, front	in/mm	Ø13.5×5.5 Ø343×140
	Tyre size, rear	in/mm	Ø6×4 Ø150×100
	Wheels, number front/rear (× = driven wheels)		1×,1/4
Dimensions	Height,mast lowered		See table 1
	Lift		See table 1
	Height, mast extended		See table 1
	Height of overhead guard (cabin)	h <sub>6</sub> (in/mm)	92.3/2345
	Standing height	h <sub>7</sub> (in/mm)	10/253
	Height,lowered	h <sub>8</sub> (in/mm)	3/75
	Overall length	l <sub>1</sub> (in/mm)	123.7/3142
	Overall width		See table 1
	Fork dimensions DIN ISO 2331	s/e/l(in/mm)	2/4/48 50/100/1220
	Width across forks	b <sub>s</sub> (in/mm)	24-30/610-760
	Ground clearance,centre of wheelbase	m <sub>2</sub> (in/mm)	2/50
Turning radius	W <sub>a</sub> (in/mm)	98.5/2500	
Performance data	Travel speed,laden/unladen		See table 2
	Lift speed,laden/unladen	fpm mm/s	67/74.9 340/380
	Lowering speed,laden/unladen	fpm mm/s	86.7/80.8 440/410
	Gradeability,laden/unladen	%	5/10
	Service brake		Electromagnetic
Electric-engine	Drive motor rating S2 60 min	hp/kw	8.6/6.4
	Lift motor rating at S3 15 %	hp/kw	17.2/12.8
	Battery voltage/nominal capacity K5	V/Ah	36/600
	Battery size	in/mm	38.44×14.25×31 976×362×787
	Battery weight	lb/kg	1730/785
Addition data	Sound pressure level at the driver's seat	dB(A)	69

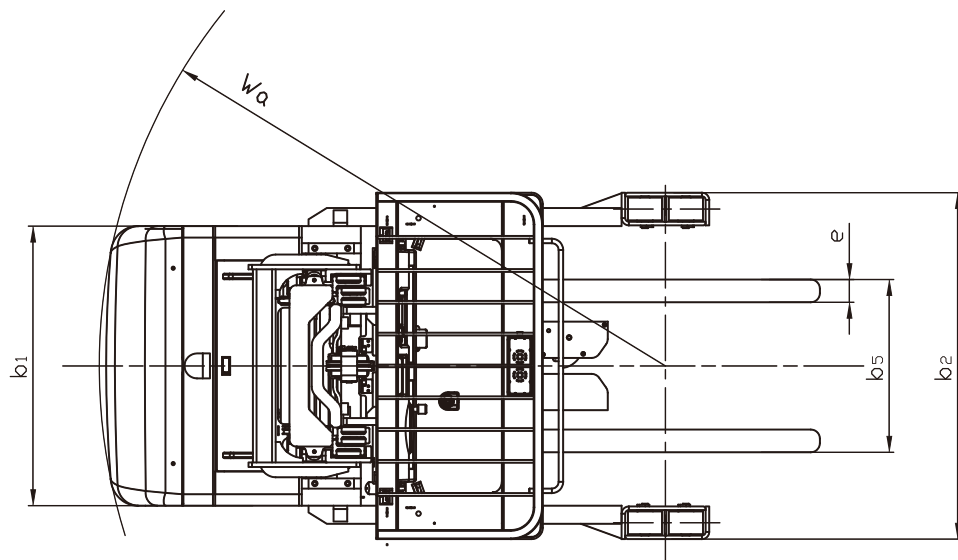
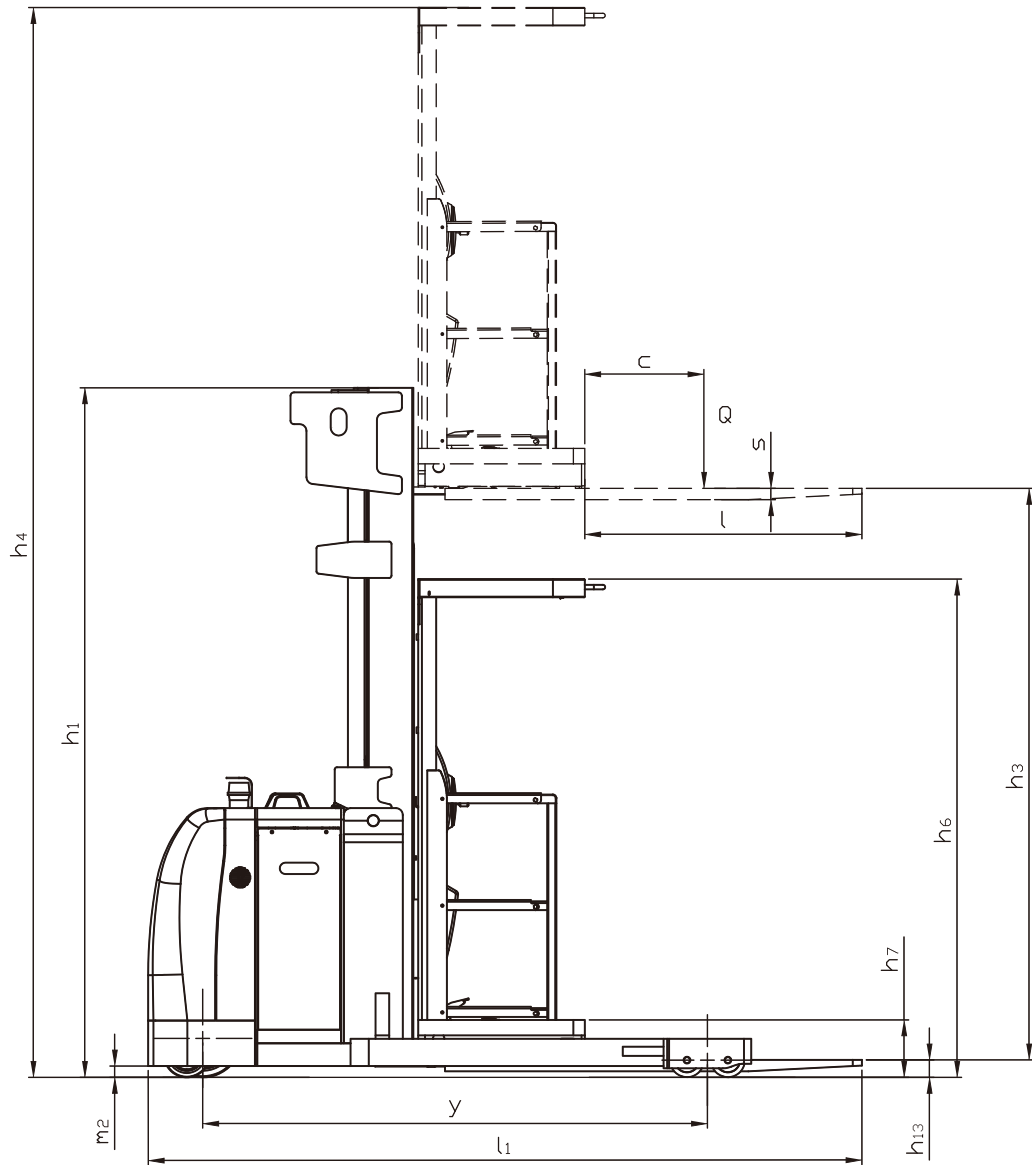
## Table 1

	lift	Height,mast lowered	Height,mast extended	Stand height,elevated	Service weight(without battery)	Overall width
	h <sub>3</sub> (in/mm)	h <sub>1</sub> (in/mm)	h <sub>4</sub> (in/mm)	h <sub>2</sub> (in/mm)	lb/kg	b <sub>1</sub> /b <sub>2</sub> (in/mm)
N5000	197/5000	100/2540	289/7345	206.7/5250	6938/3150	48.4/49.2 1230/1250
N6100	240/6100	114.4/2905	332.5/8445	250/6350	7191.6/3265	48.4/60 1230/1525
N7000	275.5/7000	126.2/3205	368/9345	285.4/7250	7412/3385	48.4/60 1230/1525
N8000	315/8000	139.4/3540	407.3/10345	324.8/8250	7643.2/3470	48.4/68 1230/1800
N9300	366/9300	156.3/3970	458.5/11645	376/9550	7940.5/3605	48.4/68 1230/1800

## Table 2

Lift Height h <sub>3</sub> in(mm)	Travel speed mph(km/h)
0-20(0-500)	6.8(11)
20-193(500-4900)	6.8-3(11-4.8)
193-303(4900-7700)	3-1.24(4.8-2)
303-366(7700-9300)	1.24(2)





CJD13-AC2S-HNA





**HANGCHA FORKLIFT CANADA INC.**

**Company address:**

6-980 Rue Valois, Vaudreuil-Dorion,  
QC, J7V 8P2, Canada

Toll Free: 877-319-HCFC (4232)  
Landline: 450-319-HCFC

[info@hcforkliftcanada.com](mailto:info@hcforkliftcanada.com)  
[www.hcforkliftcanada.com](http://www.hcforkliftcanada.com)



Follow us on  
Facebook



Follow us on  
YouTube



Follow us on  
WeChat



Download "Hangcha  
Forklift" App

HANGCHA GROUP CO., LTD. reserves the right to make any changes without notice concerning colors, equipment, or specifications detailed in this brochure, or to discontinue individual models. The colors of trucks, delivered may differ slightly from those in brochures.