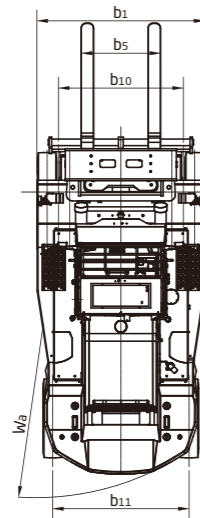
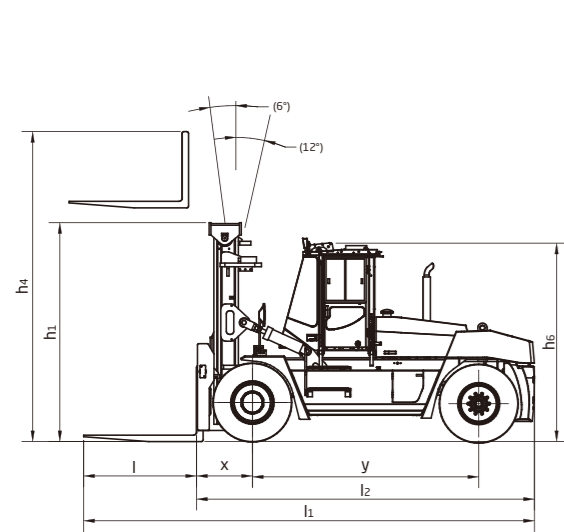
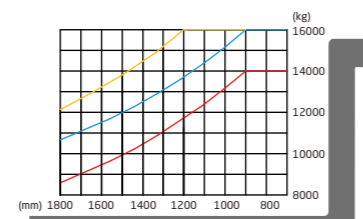


## Heavy IC Forklift Truck

		HANGCHA GROUP CO., LTD.									
Distinguishing mark	1.1	Manufacturer	HANGCHA GROUP CO., LTD.								
	1.2	Manufacturer's type designation	CPCD140-w25	CPCD140-H9G	CPCD160-w25	CPCD160-H9G	CPCD180-Aw25	CPCD180-w25	CPCD180-H9G		
	1.3	Drive: electric (battery or mains), diesel, petrol, fuel gas	Diesel	Diesel	Diesel	Diesel	Diesel	Diesel	Diesel		
	1.4	Operator type: hand, pedestrian, standing, seated, order-picker	Seated	Seated	Seated	Seated	Seated	Seated	Seated		
	1.5	Rated capacity/rated load	Q (kg)	14000	14000	16000	16000	18000	18000		
	1.6	Load centre distance	c (mm)	900	900	900	900	1200	900		
	1.8	Load distance, centre of drive axle to fork	x (mm)	900	900	900	900	900	900		
	1.9	Wheelbase	y (mm)	3650	3650	3650	3650	3750	3750		
	Weight	2.1	Service Weight	kg	23100	23100	24600	24600	25400	25300	
		3.1	Tyres: solid rubber, superelastic, pneumatic, polyurethane		Pneumatic	Pneumatic	Pneumatic	Pneumatic	Pneumatic	Pneumatic	
Wheels, Chassis	3.2	Tyre size, front	12.00-24-20PR								
	3.3	Tyre size, rear	12.00-24-20PR								
	3.5	Wheels, number front/rear (x = driven wheels)	4x/2	4x/2	4x/2	4x/2	4x/2	4x/2	4x/2		
	3.6	Tread, front	b10 (mm)	2013	2013	2013	2013	2013	2013		
	3.7	Tread, rear	b11 (mm)	2200	2200	2200	2200	2200	2200		
Dimensions	4.1	Tilt of mast/fork carriage forward/backward	α/β(°)	6/12	6/12	6/12	6/12	6/12	6/12		
	4.2	Height, mast lowered	h1 (mm)	3500	3500	3500	3500	3500	3500		
	4.4	Lift	h3 (mm)	3300	3300	3000	3000	3000	3000		
	4.5	Height, mast extended	h4 (mm)	5150	5150	5000	5000	5000	5000		
	4.7	Height of overhead guard	h5 (mm)	3240	3240	3240	3240	3240	3240		
	4.19	Overall length	l1 (mm)	7268	7268	7268	7268	7368	7368		
	4.20	Length to face of forks	l2 (mm)	5448	5448	5448	5448	5520	5548		
	4.21	Overall width	b1 (mm)	2706	2706	2706	2706	2706	2706		
	4.22	Fork dimensions ISO 2331	s/e/l (mm)	1820x200x105		1820x200x105		2440x250x105		1820x250x105	
	4.25	Distance between fork-arms	bs (mm)	820/2400	820/2400	820/2400	820/2400	820/2400	820/2400		
Performance Data	4.31	Ground clearance, laden, below mast	m1 (mm)	250	250	250	250	250	250		
	4.32	Ground clearance, centre of wheelbase	m2 (mm)	320	320	320	320	320	320		
	4.35	Turning radius	Wa (mm)	4980	4980	4980	4980	5100	5100		
	5.1	Travel speed, laden/unladen	km/h	22.5/26	22/25	22.5/26	22/25	22.5/26	21.5/25		
	5.2	Lift speed, laden/unladen	m/s	0.31/0.34	0.30/0.33	0.31/0.34	0.30/0.33	0.31/0.34	0.29/0.32		
	5.5	Drawbar pull, laden/unladen	N	125000/-	125000/-	125000/-	125000/-	125000/-	125000/-		
	5.7	Gradeability, laden/unladen	%	30/-	30/-	20/-	20/-	20/-	20/-		
	5.10	Service brake		Wet Disc Brake System							
		Parking brake		Spring Applied, Hydraulic release multidis brake							
	Combustion-engine	7.1	Engine manufacturer/type	CUMMINS/Q586.7-C190	CUMMINS/B6.7	CUMMINS/Q586.7-C190	CUMMINS/B6.7	CUMMINS/Q586.7-C190	CUMMINS/B6.7	CUMMINS/B6.7	
		Emission STD	Stage3/Tier3	Stage4/Tier4/GBIV	Stage3/Tier3	Stage4/Tier4/GBIV	Stage3/Tier3	Stage4/Tier4/GBIV	Stage3/Tier3		
7.2		Engine power according to DIN ISO 1585	kw	142	149	142	149	142	149		
7.3		Rated speed	min	2300	2200	2300	2200	2300	2200		
7.4		Number of cylinders/displacement	(-)/l(cm <sup>3</sup> )	6/6700	6/6700	6/6700	6/6700	6/6700	6/6700		
7.10		Battery voltage/nominal capacity	V/Ah	2x12/120							
		Rated torque	N.m/r/min	930/1500	990/1300	930/1500	990/1300	930/1500	990/1300		
		Bore x stroke	mm	107x124							
Additional data	10.1	Operating pressure for attachments	bar	210							



### LOAD CHART



## 14.0-18.0t Forklift Mast Specification

Type	Model	Max. fork height	Overall height			Tilt range		Capacity
			Lowered	Extended	With backrest	FWD	RWD	load capacity at 900mm Double tire
Wide view mast	G140MX	mm	mm	mm	(°)	(°)	kg	
		3300	3500	5150	6	12	14000	
		3600	3650	5450	6	12	14000	
		4000	3850	5850	6	12	14000	
		4300	4050	6200	6	12	14000	
		4500	4150	6400	6	12	14000	
		4800	4300	6700	6	6	14000	
		5000	4400	6900	6	6	14000	
		5500	4700	7450	3	6	12500	
		6000	4950	7950	3	6	11500	
Wide view mast	G160MX	3000	3500	5000	6	12	16000	
		3300	3650	5300	6	12	16000	
		3600	3800	5600	6	12	16000	
		4000	4000	6000	6	12	16000	
		4300	4200	6350	6	12	16000	
		4500	4300	6550	6	12	16000	
		4800	4450	6850	6	6	16000	
		5000	4550	7050	6	6	16000	
		5500	4850	7600	3	6	14500	
		6000	5100	8100	3	6	13500	
Wide view mast	G180MX	3000	3500	5000	6	12	18000	
		3300	3650	5300	6	12	18000	
		3600	3800	5600	6	12	18000	
		4000	4000	6000	6	12	18000	
		4300	4200	6350	6	12	18000	
		4500	4300	6550	6	12	18000	
		4800	4450	6850	6	6	18000	
		5000	4550	7050	6	6	18000	
		5500	4850	7600	3	6	16500	
		6000	5100	8100	3	6	15500	



## Heavy IC Forklift Truck

with capacities of 14,000 to 18,000kg



### HANGCHA FORKLIFT CANADA INC.

**Company address:**  
6-980 Rue Valois, Vaudreuil-Dorion,  
QC, J7V 8P2, Canada

Toll Free: 877-319-HCFC (4232)  
Landline: 450-319-HCFC

info@hcforkliftcanada.com  
www.hcforkliftcanada.com



Follow us on Facebook



Follow us on YouTube



Follow us on WeChat



Download "Hangcha Forklift" App

2020 VERSION 1/COPYRIGHT 2020/12

HANGCHA GROUP CO., LTD. reserves the right to make any changes without notice concerning colors, equipment, or specifications detailed in this brochure, or to discontinue individual models. The colors of trucks, delivered may differ slightly from those in brochures.

The World of Hangcha



# Heavy IC Forklift Truck

Environment/  
Efficiency/  
Economy

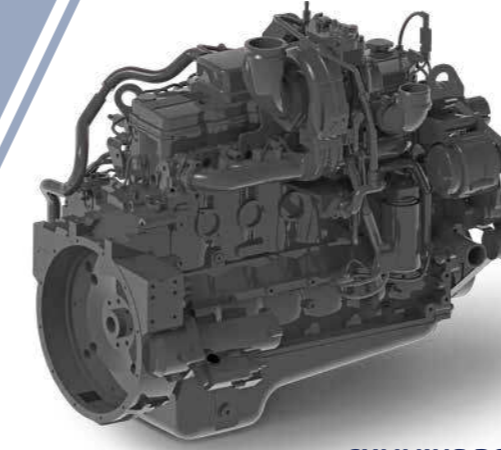


## STAGE V & TIER 4F

### HANGCHA with you at every stage

Efficient, reliable solutions for your demands

With Hangcha you can meet all Stage V/Tier 4f emissions standards which provides customer demands for value, innovation and performance. The technologies include common rail fuel systems, Turbocharged Inter-cooled selective catalytic reduction (SCR), diesel oxidation catalysts (DOC) and diesel particulate filters (DPF). Designed and optimised to every engine model, our forklift truck maximises efficiency and reliability.



CUMMINS B6.7

### Hydraulic System

/ The main hydraulic components like the control valves, variable pump are products of Rexroth.

### Transmission System

/ ZF micro controller with 3 stage power-shift is to make sure the high reliability. German Kessler heavy load drive axle, with two stage speed adjust, multi-disc wet service brake system, is fully enclosed system with maintenance free.

### Steering System

/ Transverse steering axle with full hydraulic steering and sensor system is to make sure easy steering.



### Cabin

/ Tilting cabin is easy to daily service, and the wide view mast, high positioned seat provide good front visibility to operator.

### Standard Specification

- |                              |                                    |
|------------------------------|------------------------------------|
| / Heater and air conditioner | / Pre-heat indication              |
| / Hour meter                 | / Wide view duplex mast            |
| / Bracket of light           | / 4 Sec. multi-way valve           |
| / Cabin                      | / Hydraulic power steering         |
| / Traction pin               | / Rubber pedal                     |
| / Headlight                  | / Dipstick                         |
| / Horn                       | / Air cleaner                      |
| / Mirror                     | / Adjustable steering wheel        |
| / Toolbox                    | / Tilt cylinder self-locking valve |
| / Forks                      | / Side roller                      |
| / Charge indicator           | / Mast lift speed limited valve    |
| / Combination rear light     |                                    |

### Options

- / 2.5-6.0m duplex mast
- / Special carriage and backrest
- / Solid tyre
- / Other dimension forks
- / Other attachment
- / Fire extinguisher
- / Suspension seat
- / Dual air cleaner or special air cleaner
- / Rear working light
- / Customer painting

