



Self-propelled Electric Scissor Lifts

Aerial work platform

The World of Hangcha



Self-propelled Electric Scissor Lifts

HANGCHA self-propelled electric scissor lifts are the high efficient, safe and ideal solution for modern industry. Ideal for maneuvering in tight Spaces, they're excellent for indoor and outdoor application, all the functions, lifting, lowering, steering, forward and backward are under operator's control. Easy maintenance and service after opening the battery cover, all key parts are easy access. With low noise level, and high reliability, HANGCHA self-propelled electric scissor lifts are always your best partner.

**Easy/
Efficiency/
Economy**



Characteristics

- / The proportional control system:Control the speed Of Traveling and lifting as you need.
- / Control box:This box is including the function Of Traveling and lifting, when you use the joystick, you can Operate the machine With only one hand.
- / Self-leveling sensor. When the degree is more than 1.5° (width direction) /3°(lengthwise direction), it will alarm.
- / LED display: Easy for maintenance.
- / Steering system. The turning radius is small,it can work In the narrow space.
- / Extension deck: You can reach the working place by the Extended platform.
- / Reasonable arrangement: All the parts of hydraulic system and electric system are located In the side doors, convenient to repair.
- / Safety: Alloy steel axis, to make sure the safety, reliable and efficient.
- / Internal charger: You can charge the battery directly, do not need to remove it from machine.
- / Hydrostatic transmission: Using hydrostatic transmission system technology.

Application

- / Stations, dock, airport, powerstation, gym, big company ect.

Standard Equipment

- / The lifting system
- / The proportional control
- / Anti-overturning system
- / Control box
- / Internal Charger
- / Hour meter
- / Local battery

Options

- / Working lights(two lights)
- / 220v socket
- / Beeper
- / Alarm light
- / Anti-overload system(Required by CE)
- / Pneumatic pipe



100XEN



120XEN



140XEN



Joystick



Extension platform



Hydraulic and electric system



Battery



Brake



Traction motor



Supporting arms: To protect the operator when he is doing repair or maintenance job



Explosion proof valve: To prevent the machine falling when the oil pipe is leaking



Manual lowering valve: When the operation system failed or the battery power is too low to let the platform decline, we can use this valve to lower the machine



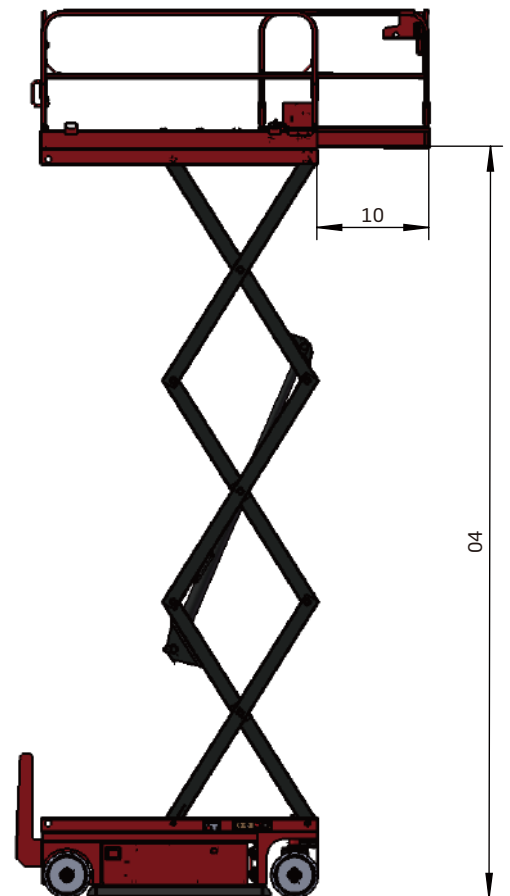
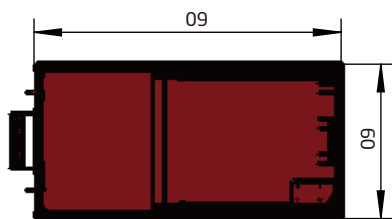
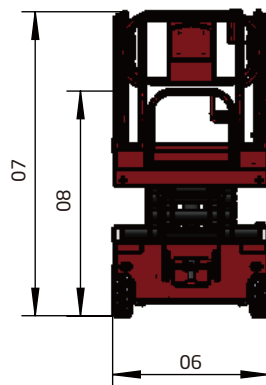
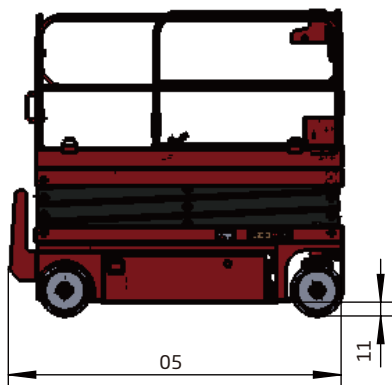
Manual release valve: When the machine can not move, you can push the machine after pressing this valve



Anti-overturning system: When the machine raises to more than 78.7", this system will work automatically, to protect the machine from overturning while walking at un-leveling ground

Self-propelled Electric Scissor Lifts

01	Manufacturer	HANGCHA GROUP CO.,LTD.								
02	Model	65XEN	78XEN	80XENS	100XENS	80XEN	100XEN	120XEN	140XEN	160XEN
03	Working height (m/in)	6.5/255.9	7.8/307.1	8/315.0	10/393.7	8/315.0	10/393.7	12/472.4	13.8/534.3	15.6/614.2
04	Platform height (m/in)	4.50/177.2	5.8/228.3	6/236.2	8/315.0	6/236.2	8/315.0	10/393.7	11.8/464.6	13.6/535.4
05	Overall length (m/in)	1.89/74.4	1.89/74.4	2.48/97.6	2.48/97.6	2.48/97.6	2.48/97.6	2.48/97.6	2.48/97.6	2.845/112.0
06	Overall width (m/in)	0.81/31.9	0.81/31.9	0.82/31.9	0.82/31.9	1.15/45.3	1.15/45.3	1.15/45.3	1.15/45.3	1.4/55.1
07	Overall height (m/in)	2.07/81.5	2.19/86.2	2.23/86.6	2.32/91.7	2.23/86.6	2.32/91.3	2.50/96.5	2.65/102.0	2.635/103.7
08	Height with rails folded (m/in)	1.73/68.1	1.84/72.4	1.87/73.6	2.00/78.7	1.66/65.4	1.77/70.1	1.91/75.2	2.05/80.7	2.03/79.9
09	Platform size (m/in)	1.68x0.77/66.1x30.3	1.68x0.77/66.1x30.3	2.27x0.82/89.4x31.9	2.27x0.82/89.4x31.9	2.27x1.14/89.4x44.1	2.27x1.14/89.4x44.1	2.27x1.14/89.4x44.1	2.27x1.14/89.4x44.1	2.64x1.14/103.9x44.1
10	Platform extension size (m/in)	0.9/35.4	0.9/35.4	0.9/35.4	0.9/35.4	0.9/35.4	0.9/35.4	0.9/35.4	0.9/35.4	0.9/35.4
11	Ground clearance (m/in)	0.083/3.3	0.083/3.3	0.1/3.9	0.1/3.9	0.1/3.9	0.1/3.9	0.1/3.9	0.1/3.9	0.1/3.9
12	Turning radius inside (m/in)	0.016/0.63	0.016/0.63	0.02/0.8	0.02/0.8	0.02/0.8	0.02/0.8	0.02/0.8	0.02/0.8	0.016/0.63
13	Turning radius outside (m/in)	1.64/64.6	1.64/64.6	2.1/82.7	2.1/82.7	2.20/86.6	2.20/86.6	2.20/86.6	2.20/86.6	2.70/106.3
14	Rated load (kg/lb)	320/705	230/507	380/838	230/507	450/992	450/992	320/705	320/705	230/507
15	Load on extension (kg/lb)	113/249	113/249	113/249	113/249	113/249	113/249	113/249	113/249	113/249
16	Batteries (V/AH)	24,225	24,225	24,225	24,225	24,300	24,300	24,300	24,300	24,300
17	Weight ±30 (kg/lb)	1315/2899	1435/3163	2085/4597	2180/4806	2230/5434	2370/5434	2810/5896	3040/6072	3240/7143
18	Travel speed km/h (mph)	0-3.5(0-2.17)	0-3.5(0-2.17)	0-3.5(0-2.17)	0-3.5(0-2.17)	0-3.5(0-2.17)	0-3.5(0-2.17)	0-3.5(0-2.17)	0-3.5(0-2.17)	0-2.7(0-1.68)
19	Lift time (s)	14±2	16±2	25±2	30±2	25±2	30±3	45±3	60±5	70±5
20	Lowered time (s)	20±4	23±4	35±4	40±4	35±5	50±5	40±5	50±7	50±7
21	Tyre	Non-mark Tyres	Non-mark Tyres	Non-mark Tyres	Non-mark Tyres	Non-mark Tyres	Non-mark Tyres	Non-mark Tyres	Non-mark Tyres	Non-mark Tyres
22	Maximum slope	1.5°/3°	1.5°/3°	1.5°/3°	1.5°/3°	1.5°/3°	1.5°/3°	1.5°/3°	1.5°/3°	1.5°/3°
23	Gradeability	25%	25%	25%	25%	25%	25%	25%	25%	25%
24	Working area	inside/outside < 45km/h (28mph)wind			inside 0km/h(0mph) wind	inside/outside < 45km/h (28mph)wind			inside 0km/h(0mph) wind	inside 0km/h(0mph) wind





HANGCHA FORKLIFT CANADA INC.

Company address:

6-980 Rue Valois, Vaudreuil-Dorion,
QC, J7V 8P2, Canada

Toll Free: 877-319-HCFC (4232)

Landline: 450-319-HCFC

info@hcforkliftcanada.com
www.hcforkliftcanada.com



Follow us on
Facebook



Follow us on
YouTube



Follow us on
WeChat



Download "Hangcha
Forklift" App

HANGCHA GROUP CO., LTD. reserves the right to make any changes without notice concerning colors, equipment, or specifications detailed in this brochure, or to discontinue individual models. The colors of trucks, delivered may differ slightly from those in brochures.